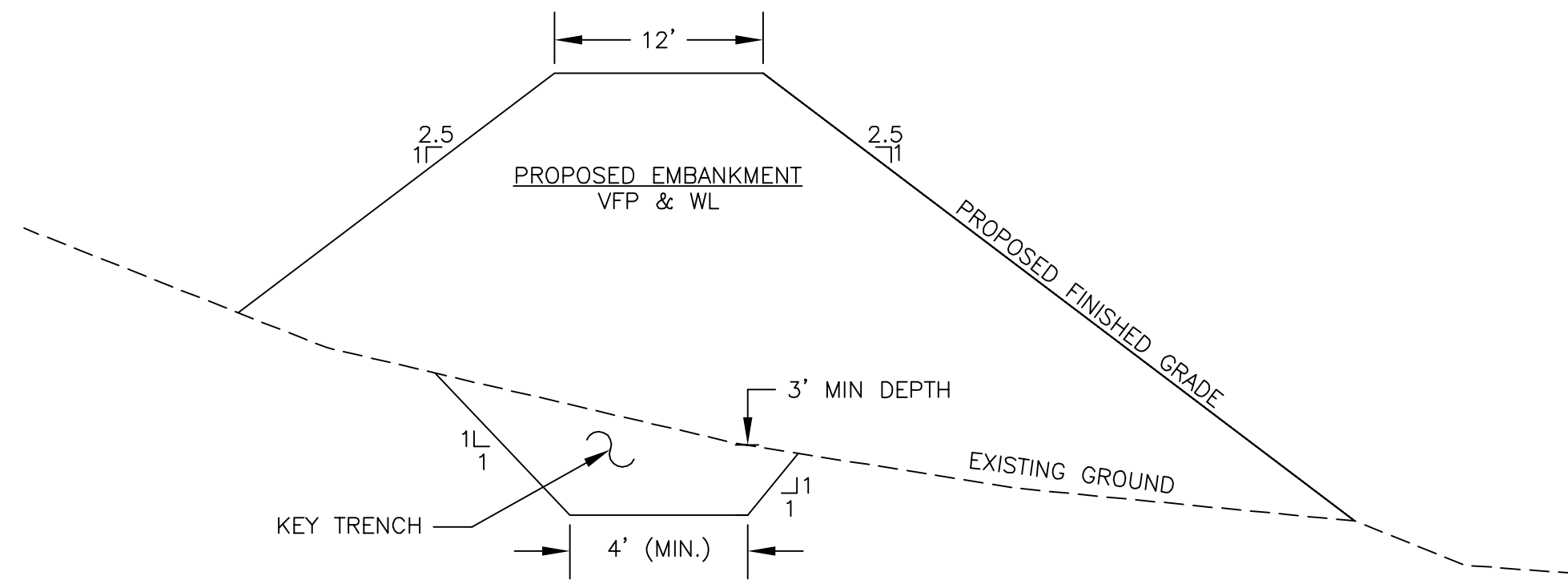
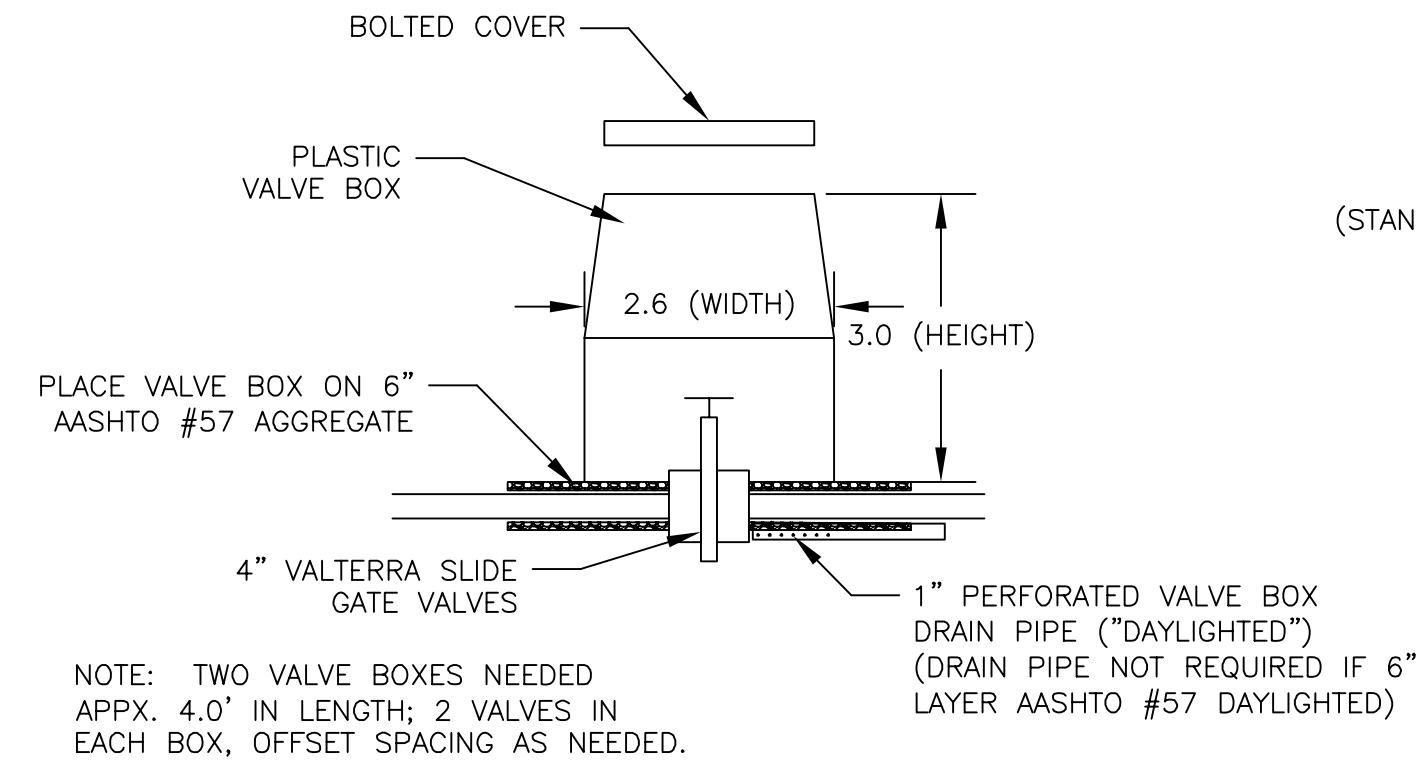


NOTE:  
LOCATION OF KEY TRENCH SHOWN IS REPRESENTATIVE, TO BE INSTALLED ALONG CENTERLINE OF ALL EMBANKMENTS.

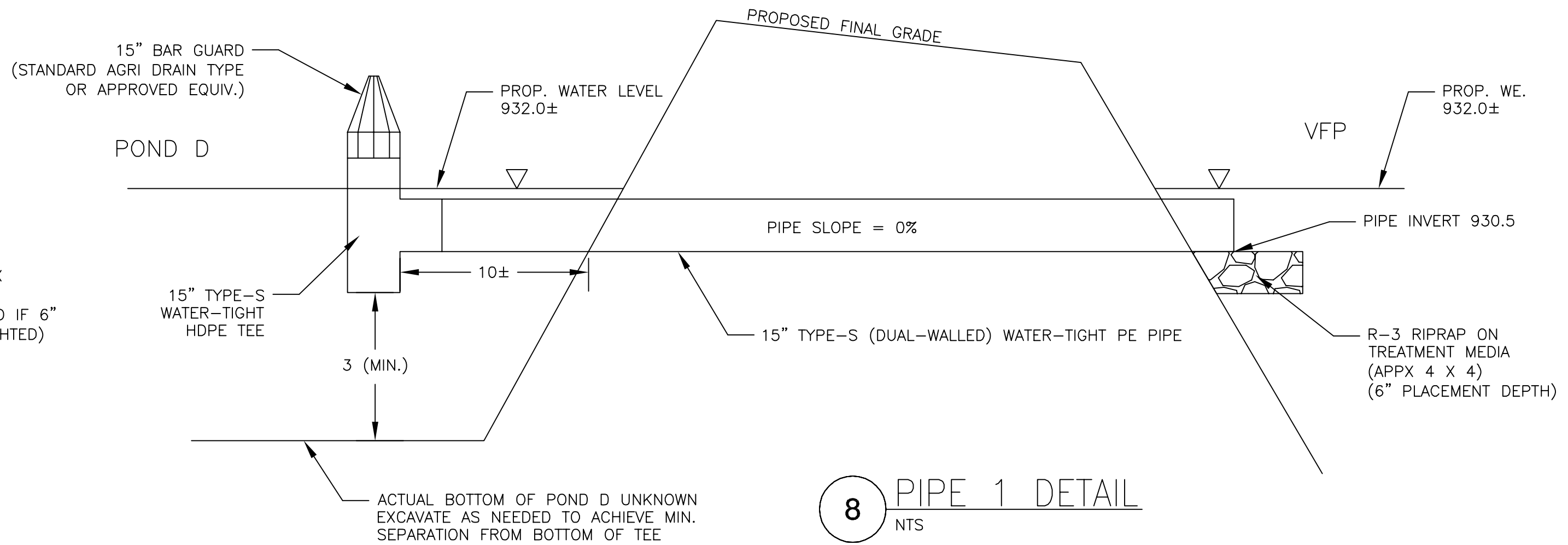
UNSATISFACTORY MATERIAL ENCOUNTERED DURING GROUND SURFACE PREPARATION TO BE REMOVED AND REPLACED WITH SATISFACTORY FILL MATERIAL COMPACTED AS DESCRIBED IN THE SPECIFICATIONS. GROUND SURFACE TO BE SCARIFIED TO A DEPTH OF 6 INCHES PRIOR TO FILL PLACEMENT. EX. GROUND SURFACES STEEPER THAN 4H:1V TO BE PLOWED, STEPPED, BENCHED, OR BROKEN TO ALLOW FILL MATERIAL TO BOND.



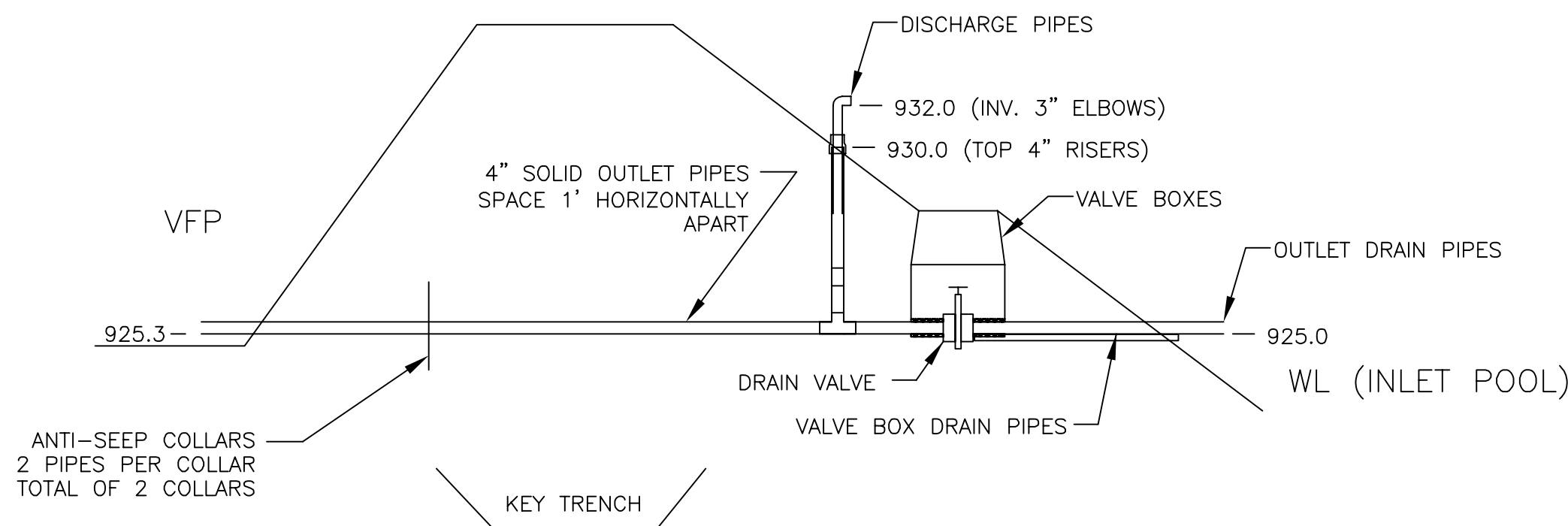
**1** KEY TRENCH DETAIL  
NTS



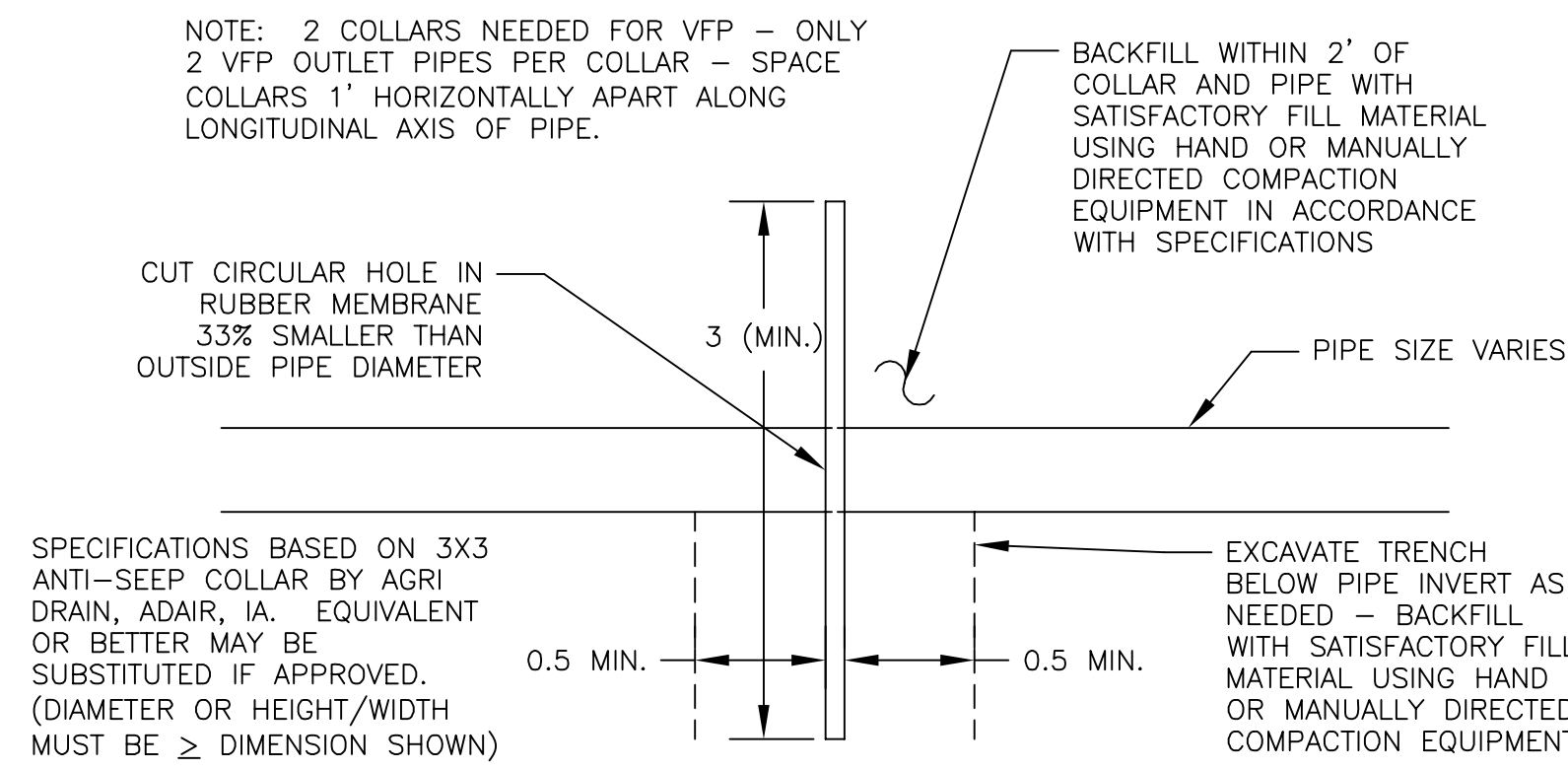
**4** VALVE BOX DETAIL  
SCALE: 1" = 2'



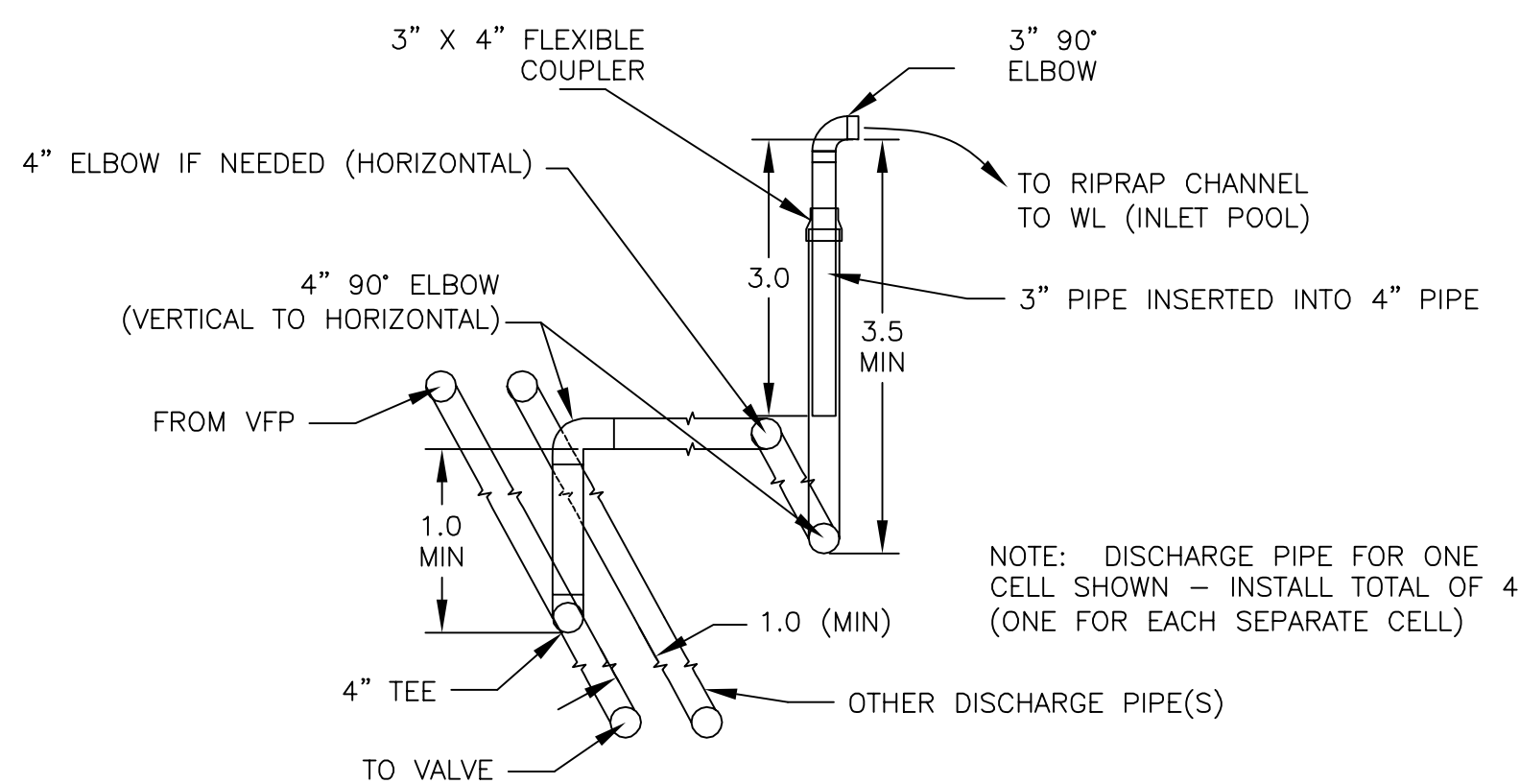
**8** PIPE 1 DETAIL  
NTS



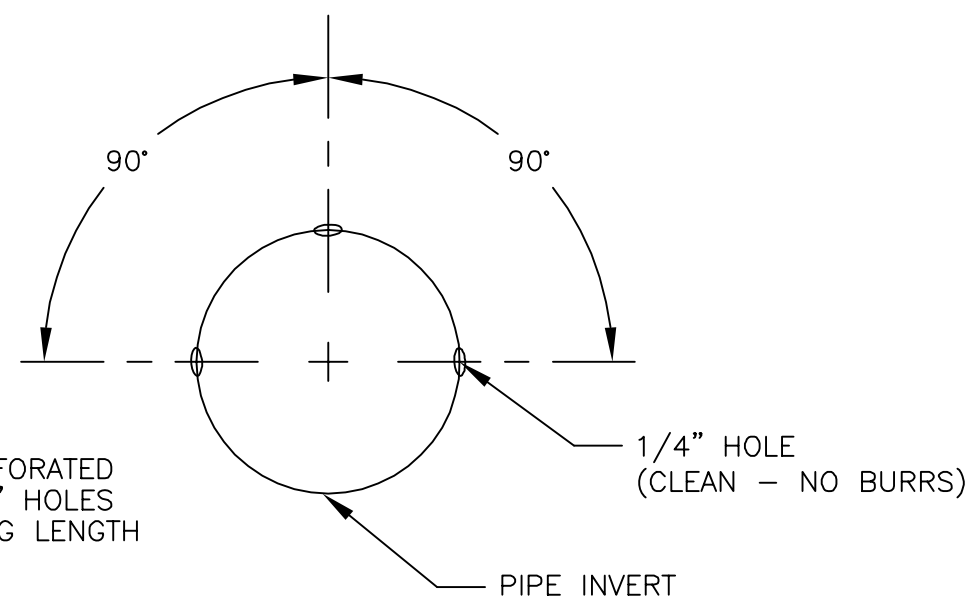
**2** DRAIN AND DISCHARGE PIPE SCHEMATIC  
NTS



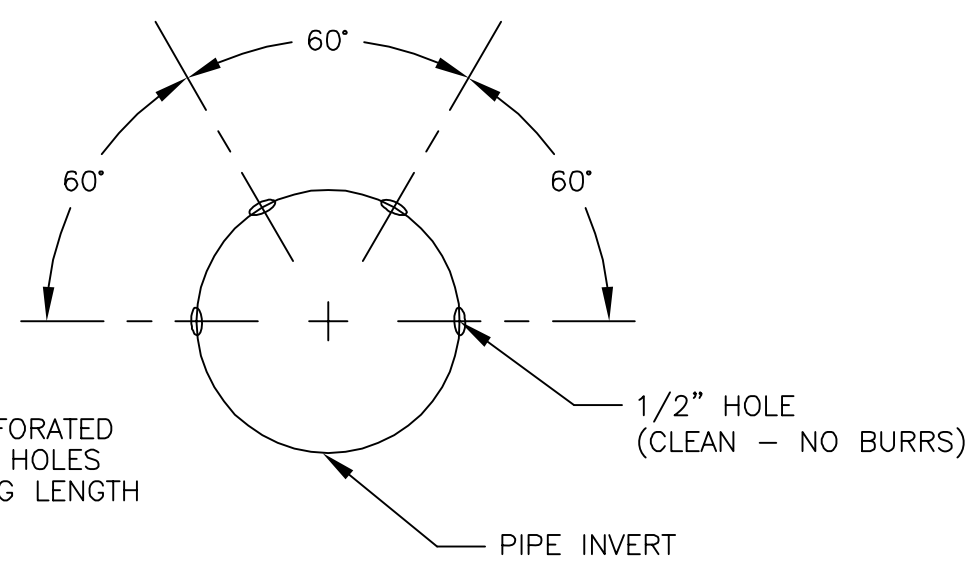
**5** ANTI-SEEP COLLAR DETAIL  
NTS



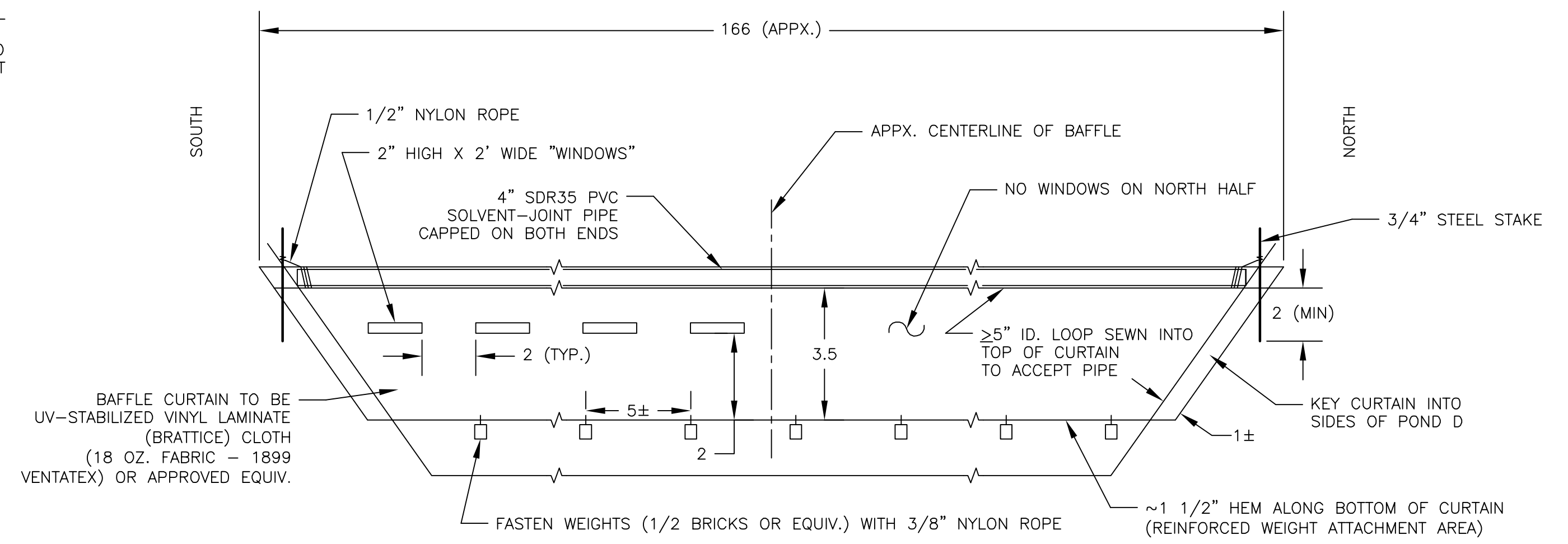
**3** DISCHARGE PIPE SCHEMATIC  
NTS (US PATENT # 7,232,278 - USED BY PERMISSION)



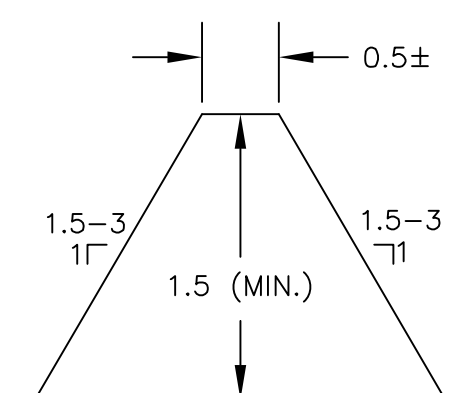
**6** PERFORATED VFP LATERAL DRILLING DETAIL  
NTS



**7** PERFORATED ALD MANIFOLD DRILLING DETAIL  
NTS



**9** BAFFLE CURTAIN DETAIL  
NTS



**10** SAFETY BERM SECTION TYPICAL  
NTS

CURTAINS AVAILABLE FROM:  
ENVIRONMENTAL PERMITTING SERVICES, BEAVER, WV (304) 763-0251  
ABC INDUSTRIES, WARSAW, IN (800) 426-0921

SHEET 4 of 6	DETAILS
Details, Typical & Schematics	
<b>PENNSYLVANIA DEPARTMENT of ENVIRONMENTAL PROTECTION</b> <b>DUGAN #2 PASSIVE TREATMENT SYSTEM</b> <b>SMP# 14663003</b>	
TROUT RUN SUBWATERSHED, MOSHANNON CREEK WATERSHED RUSH TOWNSHIP, CENTRE COUNTY, PA Scale: As Shown December 2008	
<b>BioMost, Inc. Mining and Reclamation Services</b> Mars, PA www.biomost.com	